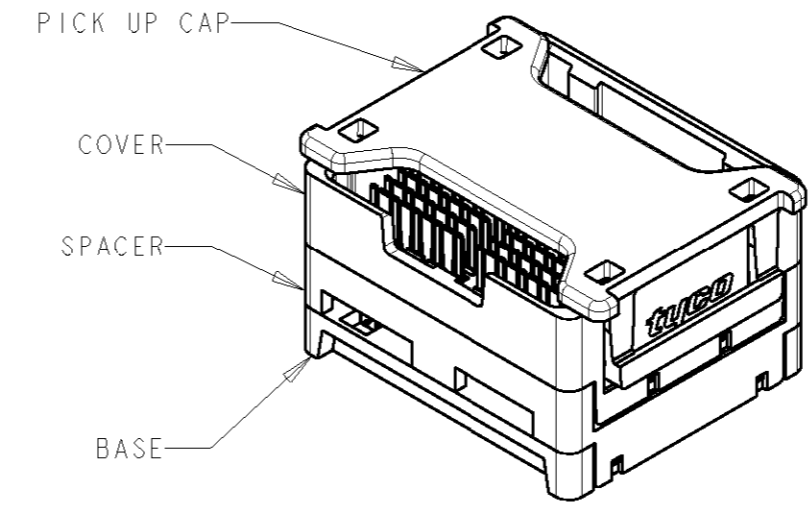
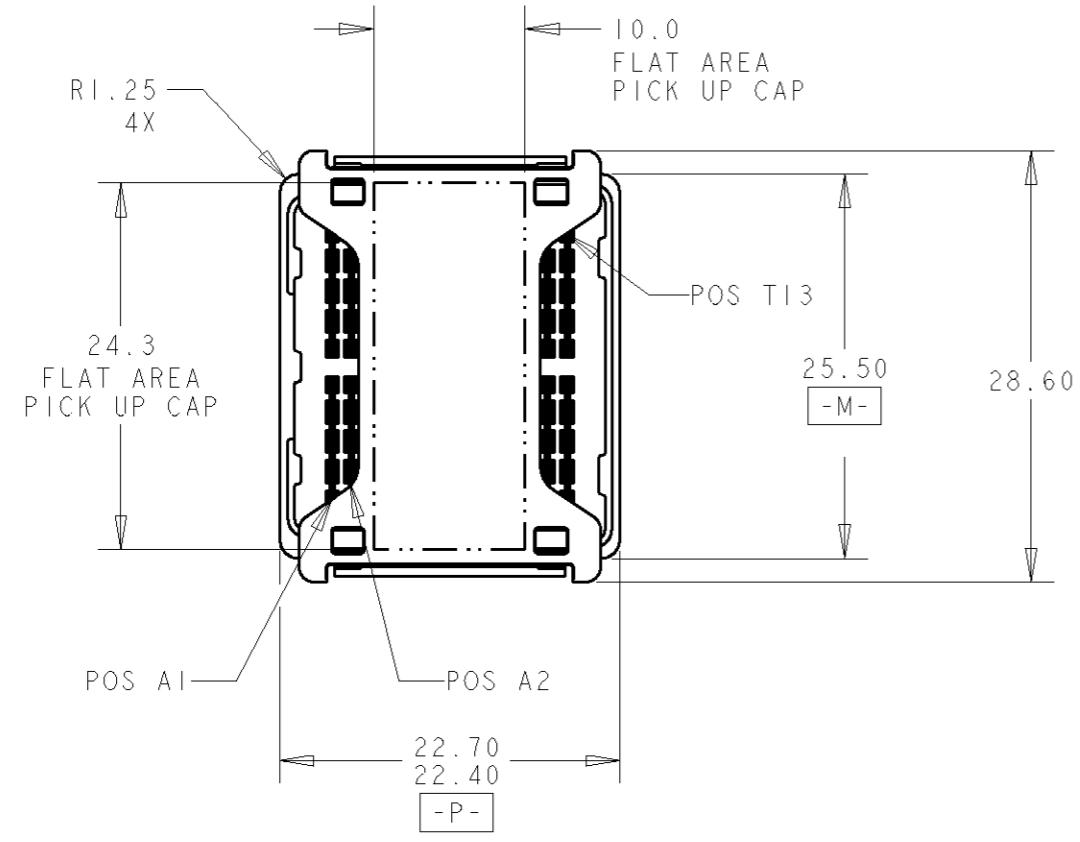


THIS DRAWING IS UNPUBLISHED. RELEASED FOR PUBLICATION 20
 © COPYRIGHT 20 BY TYCO ELECTRONICS CORPORATION. ALL RIGHTS RESERVED.

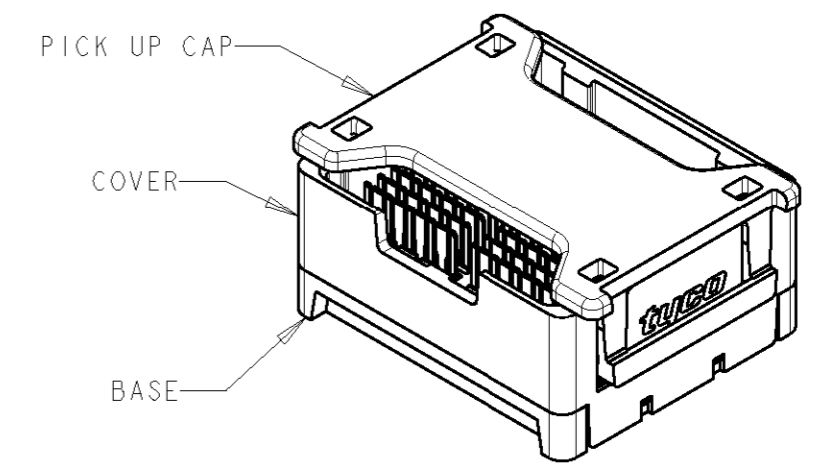
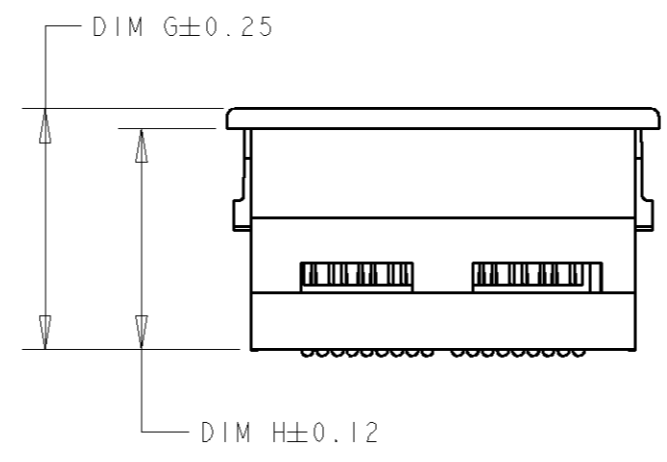
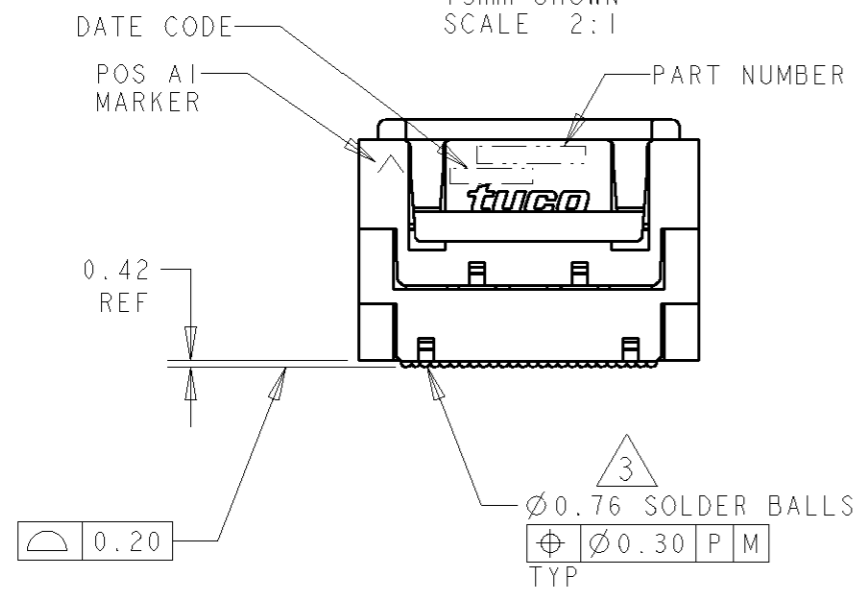
LOC	DIST	REVISIONS			
P	LTR	DESCRIPTION	DATE	DWN	APVD
GP	00				
	A	RELEASED PER ECO-05-015609	03JAN2006	BEC	DD
	A1	REV PER ECO-06-012257	05JUN2006	BC	DD



ISOMETRIC VIEW
 TYPICAL CONFIGURATION FOR
 15mm & 20mm ASSEMBLY
 SCALE 2:1

TYPICAL ASSEMBLY

15mm SHOWN
 SCALE 2:1



ISOMETRIC VIEW
 TYPICAL CONFIGURATION FOR
 10mm, 12mm & 13mm ASSEMBLY
 SCALE 2:1

<small>THIS DRAWING IS A CONTROLLED DOCUMENT FOR TYCO ELECTRONICS CORPORATION IT IS SUBJECT TO CHANGE AND THE CONTROLLING ENGINEERING ORGANIZATION SHOULD BE CONTACTED FOR THE LATEST REVISION.</small>		DWN P BRANDBERG 18JAN05 CHK D WERTZ 20JAN05 APVD D WERTZ 20JAN05		tyco Tyco Electronics Electronics Harrisburg, PA 17105-3608	
DIMENSIONS: mm		TOLERANCES UNLESS OTHERWISE SPECIFIED: 0 PLC ±- 1 PLC ±0.3 2 PLC ±0.10 3 PLC ±0.050 4 PLC ±- ANGLES ±2°		PRODUCT SPEC 108-2143 APPLICATION SPEC 114-13101 WEIGHT -	
MATERIAL 1		FINISH 2		NAME STEP-Z, PLUG ASSEMBLY, 104 SIGNAL POSITION	
		CUSTOMER DRAWING		SIZE A3 CAGE CODE 00779 DRAWING NO C-1761612	RESTRICTED TO -
				SCALE -	SHEET 1 OF 3
				REV A1	


THIS DRAWING IS UNPUBLISHED. RELEASED FOR PUBLICATION 20
 © COPYRIGHT 20 BY TYCO ELECTRONICS CORPORATION. ALL RIGHTS RESERVED.

LOC	DIST	REVISIONS					
		P	LTR	DESCRIPTION	DATE	DWN	APVD
GP	00		-	SEE SHEET 1	-	-	-

- 1 MATERIAL:
 BASE, SPACER, COVER: THERMOPLASTIC
 PICK UP CAP: THERMOPLASTIC
 CONTACT: COPPER ALLOY
 SOLDER BALL: Sn/Pb FOR P/N 1761614-1 THRU 5-1761614-0
 Sn/Ag FOR P/N 5-1761614-1 THRU 9-1761614-9
- 2 FINISH:
 CONTACT: 0.00076 MIN GOLD OVER 0.00127 MIN NICKEL.
 (30μ" MIN GOLD OVER 50μ" MIN NICKEL)
- 3 SOLDER BALLS WILL NOT BE PERFECT
 SPHERICAL SHAPE DUE TO REFLOW ATTACHMENT.
- 4 CONTACTS IN ROWS A,C,E,G,J,K,M,P,R, AND T
 ARE SINGLE BEAM CONTACTS,
 TYPICALLY USED AS GROUND PINS.
 (NOTE: CONTACTS IN ROW J & K ARE TIED
 TOGETHER [COMMONED]).
- 5 CONTACTS IN ROWS B,D,F,H,L,N,O, AND S
 ARE DUAL BEAM CONTACTS,
 TYPICALLY USED AS SIGNAL PINS.
- 6 SPECIFIED POSITIONAL TOLERANCE DEFINES PAD TO PAD
 LOCATION WITHIN LAND PATTERN. POSITIONAL TOLERANCE
 OF LAND PATTERN TO FUDICIAL MARKS OR PCB DATUMS
 SHALL BE DEFINED BY CUSTOMER. FOR RECOMMENDED
 PRODUCT APPLICATION AND PCB DESIGN DETAILS, SEE
 APPLICATION SPEC 114-13101.

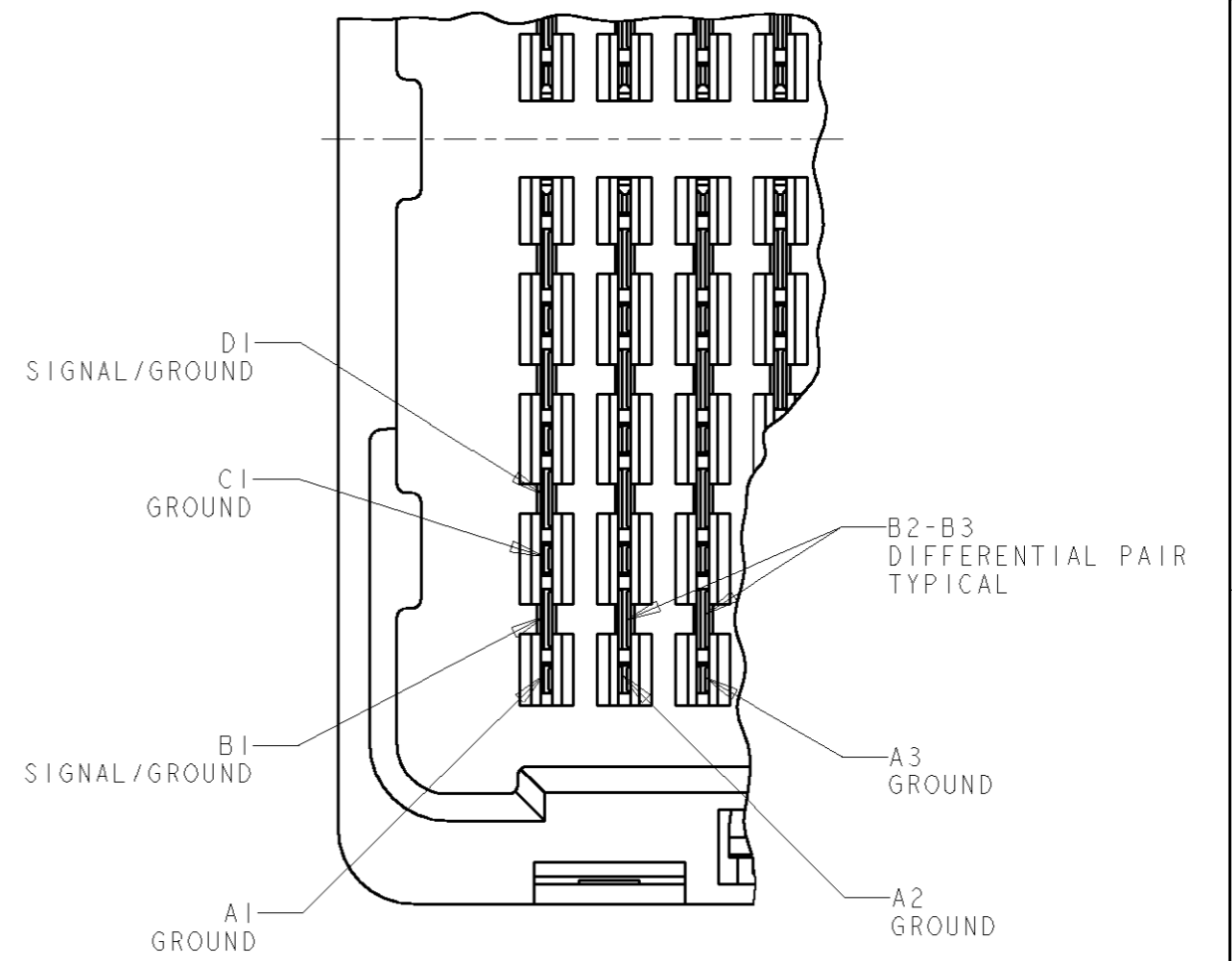
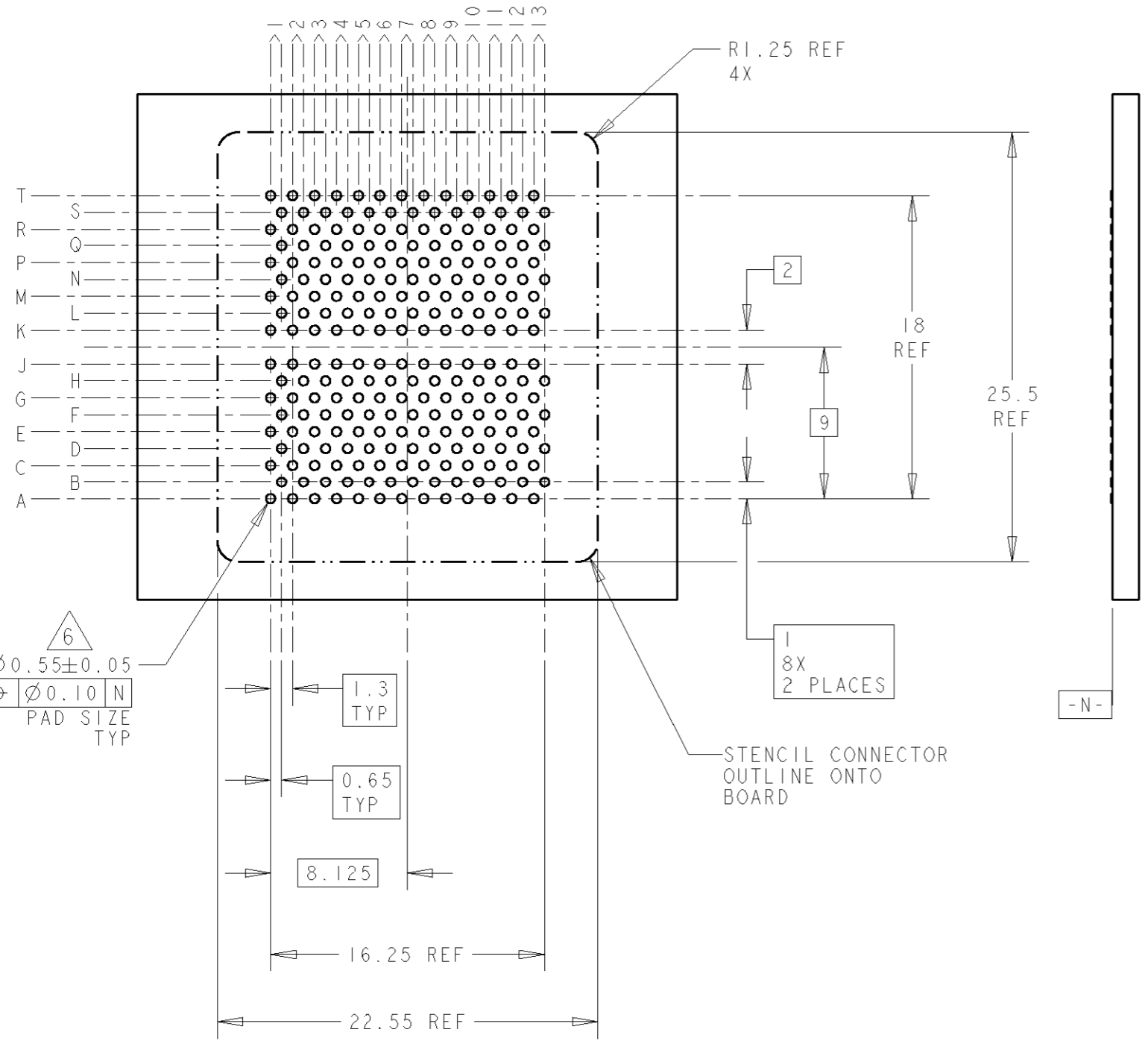
19.65	20.95	-	20mm Sn/Ag	7-1761612-0
14.65	15.95	-	15mm Sn/Ag	6-1761612-5
12.65	13.95	-	13mm Sn/Ag	6-1761612-3
11.65	12.95	-	12mm Sn/Ag	6-1761612-2
9.65	10.95	-	10mm Sn/Ag	6-1761612-0
19.65	20.95	-	20mm Sn/Pb	2-1761612-0
14.65	15.95	-	15mm Sn/Pb	1-1761612-5
12.65	13.95	-	13mm Sn/Pb	1-1761612-3
11.65	12.95	-	12mm Sn/Pb	1-1761612-2
9.65	10.95	-	10mm Sn/Pb	1-1761612-0
DIM H	DIM G	LOAD STYLE	DESCRIPTION	PART NUMBER

THIS DRAWING IS A CONTROLLED DOCUMENT FOR TYCO ELECTRONICS CORPORATION
 IT IS SUBJECT TO CHANGE AND THE CONTROLLING ENGINEERING ORGANIZATION
 SHOULD BE CONTACTED FOR THE LATEST REVISION.

DIMENSIONS: mm	TOLERANCES UNLESS OTHERWISE SPECIFIED: 0 PLC ±- 1 PLC ±0.3 2 PLC ±0.10 3 PLC ±0.050 4 PLC ±- ANGLES ±2°	DWN P BRANDBERG 18JAN05 CHK D WERTZ 20JAN05 APVD D WERTZ 20JAN05	 Tyco Electronics Harrisburg, PA 17105-3608
MATERIAL -	FINISH -	PRODUCT SPEC - APPLICATION SPEC - WEIGHT -	
CUSTOMER DRAWING		SCALE -	SHEET 2 OF 3 REV A1

THIS DRAWING IS UNPUBLISHED. RELEASED FOR PUBLICATION 20
 © COPYRIGHT 20 BY TYCO ELECTRONICS CORPORATION. ALL RIGHTS RESERVED.

LOC	DIST	REVISIONS				
P	LTR	DESCRIPTION	DATE	DWN	APVD	
GP	00	-	SEE SHEET 1	-	-	



PLUG INTERFACE
SCALE 8:1

BOARD PATTERN
SCALE 3:1

<small>THIS DRAWING IS A CONTROLLED DOCUMENT FOR TYCO ELECTRONICS CORPORATION IT IS SUBJECT TO CHANGE AND THE CONTROLLING ENGINEERING ORGANIZATION SHOULD BE CONTACTED FOR THE LATEST REVISION.</small>		DWN P BRANDBERG 18JAN05 CHR D WERTZ 20JAN05 APVD D WERTZ 20JAN05		Tyco Electronics Harrisburg, PA 17105-3608	
DIMENSIONS: mm		TOLERANCES UNLESS OTHERWISE SPECIFIED: 0 PLC ±- 1 PLC ±0.3 2 PLC ±0.10 3 PLC ±0.050 4 PLC ±- ANGLES ±2°		NAME STEP-Z, PLUG ASSEMBLY, 104 SIGNAL POSITION	
MATERIAL -		FINISH -		PRODUCT SPEC - APPLICATION SPEC - WEIGHT -	
		CUSTOMER DRAWING		SIZE A3 CAGE CODE 00779 DRAWING NO C-1761612 RESTRICTED TO -	
		SCALE -		SHEET 3 OF 3 REV A1	